

PA-100

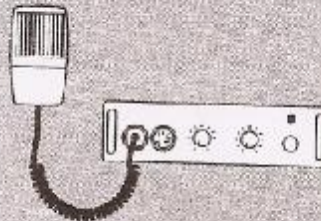
Best.-Nr. 17.0040

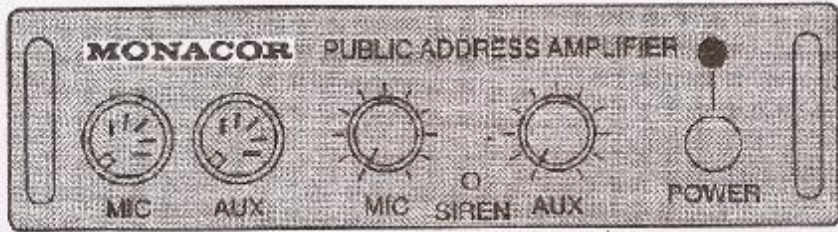
MONACOR®

PA-100

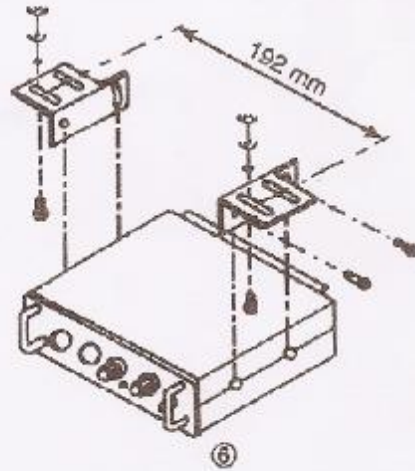
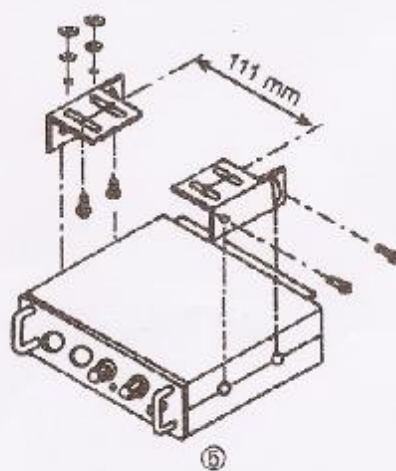
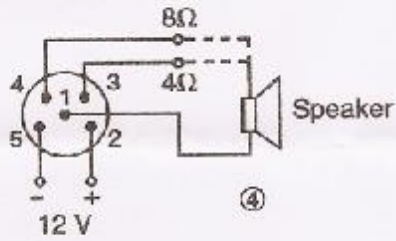
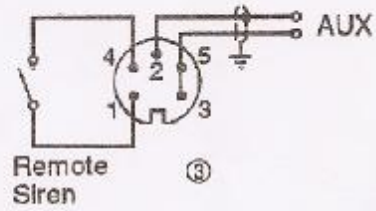
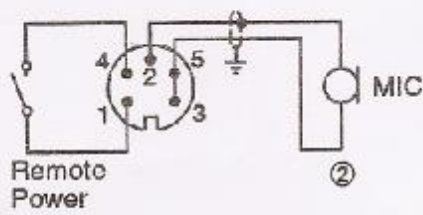
PUBLIC ADDRESS AMPLIFIER

- D** Bedienungsanleitung
- GB** Instruction Manual
- F** Mode d'Emploi
- I** Istruzioni per l'Uso





①





Please unfold page 3. Then you can always see the operating elements described.

Car / PA Amplifier PA-100

The amplifier PA-100 is a compact mono amplifier for 12 V battery operation with an IC power module protected against short-circuit and overload.

There is an input for a microphone (supplied) and an input for high level sources (AUX), like cassette player, record player etc. Both inputs can be mixed with each other.

1 Connection

To prepare the plugs for connection, please watch the diagrams 2-4

1.1 Microphone plug

Via the contacts 1 and 4 with a push-to-talk lever (as in the supplied microphone) the amplifier can be switched on (fig. 2).

1.2 AUX plug

Via the contacts 1 and 4 with a button a remote control can be made (fig. 3). The unit is switched on and at the same time the siren sounds.

1.3 Output plug

At the contacts 2 (+) and 5 (-) the 12 V direct voltage is connected, e.g. a car battery (fig. 4).

Furthermore at this plug the speaker impedance is selected according to the speaker: the 4 Ω connection (pins 1 and 3) or the 8 Ω connection (pins 1 and 4) are used. For special cases there is internally also a 16 Ω connection on the print board available which can be led out at the output jack if a pin is set free by soldering.

2 Mounting

The amplifier is mounted in the car at a suitable place of good ventilation with the supplied mounting brackets (fig. 5 and 6).

Attention!

- Watch in any case a solid mechanical mounting. If the unit is getting loose in the car, it becomes a dangerous projectile!
- Watch the correct polarity of the direct voltage supply. In case of wrong polarity of the 12 V connection, due to a protection diode the built-in fuse will burn. It has to be replaced by a new 3 A fuse (quick acting).

3 Operation

After mounting and connection the unit is switched on with the push-button POWER and the volume controls are turned on.

Control MIC for microphone operation, control AUX for further sources. With the button SIREN the electrical siren (without level control) is activated.

By using the supplied microphone with the push-to-talk switch the amplifier is switched on. The POWER switch must not be used in this case.

If according to fig. 3 a remote switch has been connected to the AUX jack, then the amplifier and the siren circuit are switched on simultaneously with it without previously pressing the POWER switch.

4 Specifications

Output Power:	10 W max.
Output Impedance:	4-16 Ω
Input Sensitivity:	MIC: 2 mV/500 Ω - 10 mV/50 k Ω AUX: 100 mV/10 k Ω
Frequency Range:	130-24,000 Hz, -3 dB, (AUX)
Power Supply:	12-15 V, 2 A max.
Dimensions (W x H x D):	150 x 40 x 145 mm
Weight:	1.5 kg

According to the manufacturer.
Subject to technical change.

