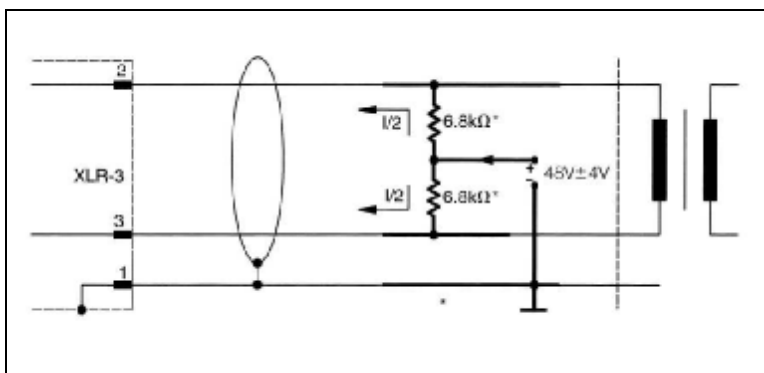
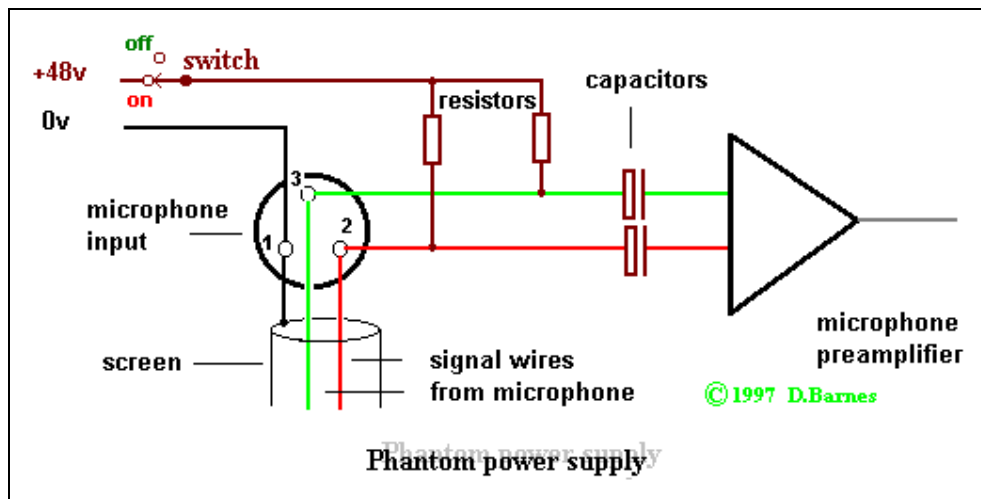
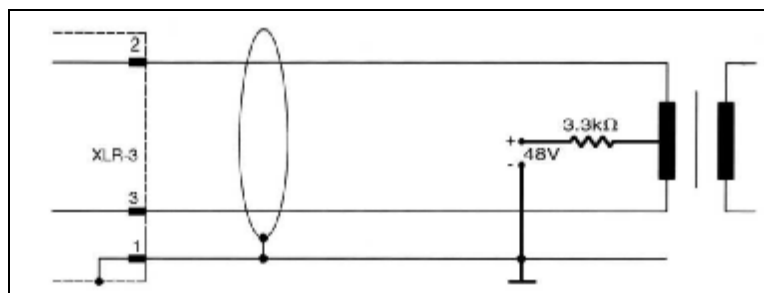


Phantom Power Supply for condenser microphones using existing balanced microphone inputs
 Most microphones will accept a voltage between plus 12 and plus 52 volts DC on pins 2 and 3 of the XLR connector (0v / ground is pin 1)



A standard 48 Volt phantom powering arrangement (mixer, amplifier or microphone preamplifier shown with input transformer)



An alternative 48 Volt phantom powering arrangement with centre-tapped input transformer